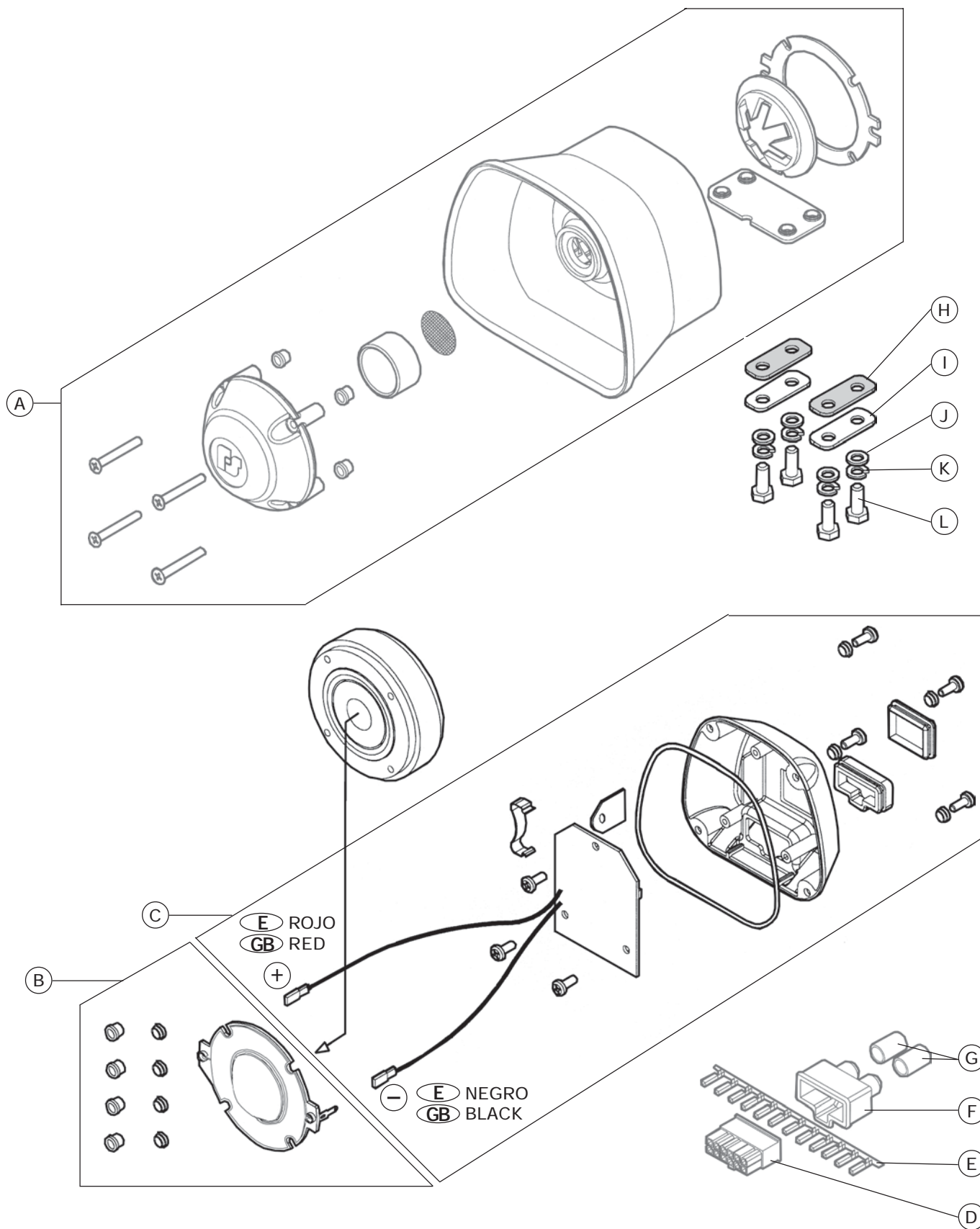


SCS1000 SOUNDSTAR™

SIRENA COMPACTA COMPACT SIREN



Item N.	Descripción / Description	Ref.	Cant. / Qty.
A	Cuerpo sirena SCS1000 / altavoz ALS1000 <i>SCS1000 siren / ALS1000 speaker body</i>	8299371	1
B	Kit membrana sirena SCS1000 / altavoz ALS1000 <i>SCS1000 siren / ALS1000 speaker membrane kit</i>	8299372	1
C	Circuito y tapa sirena SCS1000 (Nota: Indicar versión sirena) <i>SCS1000 siren cover and circuit (Note: Indicate siren version)</i>	8299370	1
D	Conector MF 12V 5557NR 3901-2120 <i>5557NR 3901-2120 12V MR connector</i>	9018454	1
E	Terminal MLX 03900-0038 5556-T <i>03900-0038 5556-T MLX terminal</i>	9018368	12
F	Funda conector Minifit 12V <i>12V Minifit connector cover</i>	9151351	1
G	Funda termoretráctil diámetro 12,7 <i>12.7 Diameter termoretractil cover</i>	9023108	2 x 0,02 ML
H	Apoyo sirena SCS1000 / altavoz ALS1000 <i>SCS1000 siren / ALS1000 speaker support</i>	8141237	2
I	Base apoyo sirena SCS1000 / altavoz ALS1000 <i>SCS1000 siren / ALS1000 speaker support base</i>	8152375	2
J	Arandela M6 DIN125 plana inoxidable <i>Stainless flat DIN125 M6 washer</i>	9027411	4
K	Arandela M6 DIN127 Grower inoxidable <i>Stainless Grower DIN127 M6 washer</i>	9027425	4
L	Tornillo M6x20 DIN933 hexagonal inoxidable <i>Stainless hexagonal DIN933 M6x20 screw</i>	9027428	4



Empresa certificada ISO / ISO certified Company

FEDERAL SIGNAL VAMA, S.A
 Dr. Ferrán, 7 (08339) VILASSAR DE DALT,
 BARCELONA, SPAIN
 Tel. (00) 93 741 79 42 (Spain)
 Tel. (34) 93 741 79 41 (Int.)
 Fax (34) 93 753 03 62
 email: service@vama.es
Web : www.fedsig.vama.es

Delegación - Madrid
 Avda.Baviera, 13
 (28028) MADRID
 Tel. (34) 91 355 22 00
 Fax (34) 91 355 35 61
 email: servicemad@vama.es