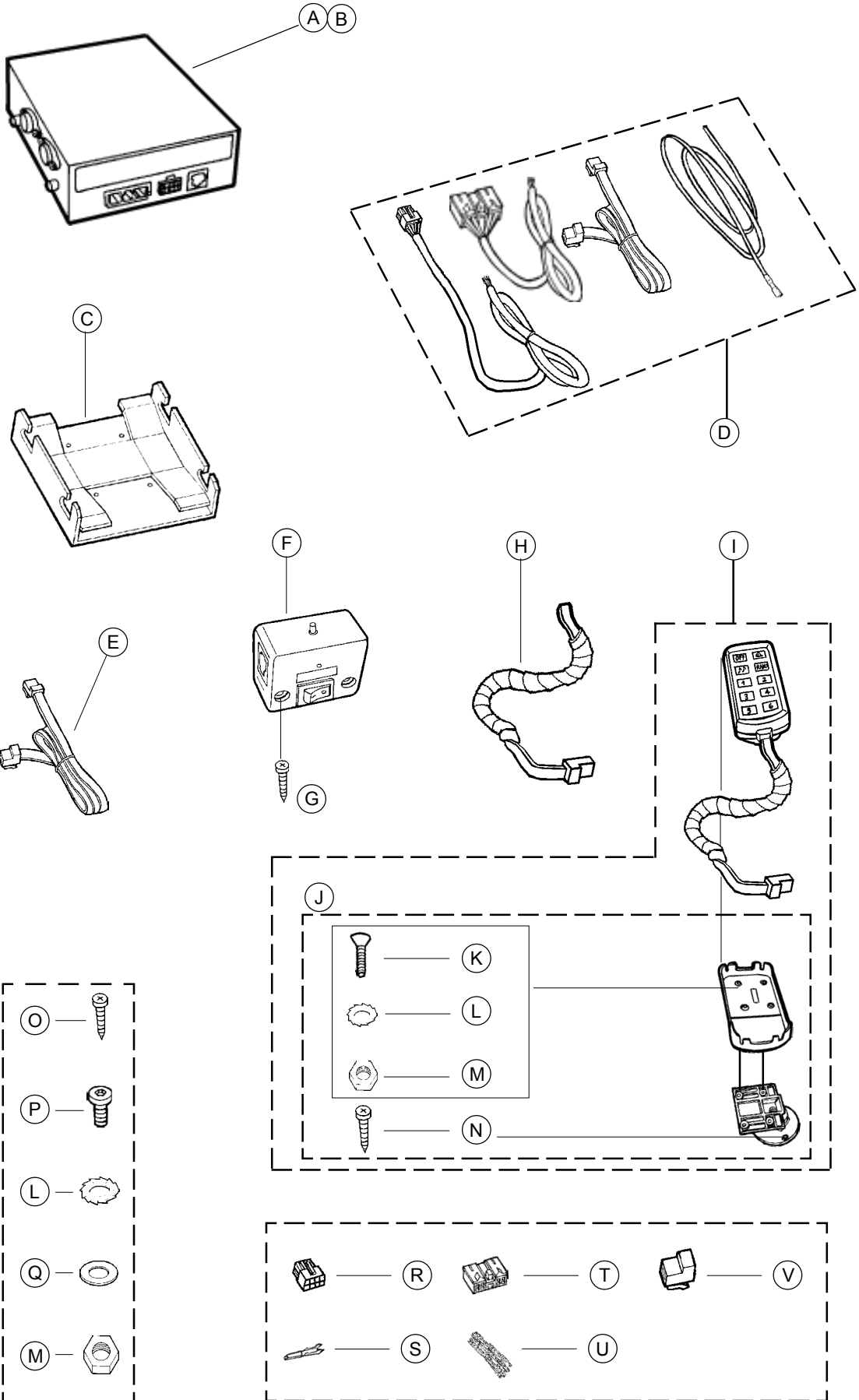


AS-422

SIRENA ELECTRÓNICA / ELECTRONIC SIREN

SERVICE



(A) (B)

(C)

(D)

(E)

(F)

(H)

(I)

(G)

(J)

(K)

(L)

(M)

(N)

(O)

(P)

(L)

(Q)

(M)

(R)

(T)

(V)

(S)

(U)

AS-422

SIRENA ELECTRÓNICA / ELECTRONIC SIREN

| Item N. | Descripción / Description | Ref. | Cant. / Qty. |
|---------|---|------------|--------------|
| A | Amplificador 12 V AS-422 <i>AS-422 12 V amplifier</i> | 8235495 | 1 |
| B | Amplificador 24 V AS-422 <i>AS-422 24 V amplifier</i> | 8235497 | 1 |
| C | Soporte fijación rápida I <i>Quick I fixation support</i> | 8232010 | 1 |
| D | Cableado sirena AS-422 <i>AS-422 siren wiring</i> | 8244388 | 1 |
| E | Cableado telefónico micrófono AS-422 <i>AS-422 microphone telephonic wiring</i> | 8244856REC | 1 |
| F | Caja conexión intermedia <i>Intermediate connection box</i> | 8216055 | 1 |
| G | Tornillo 4,2x38 DIN7981 <i>Screw 4,2x38 DIN7981</i> | 9027260 | 2 |
| H | Cableado botonera a caja intermedia AS-422 <i>Control head wiring to AS-422 intermediate box</i> | 8244622REC | 1 |
| I | Botonera silicona sirena AS-422 <i>AS-422 siren silicone control head</i> | 8216049 | 1 |
| J | Kit pie articulado botonera <i>Control head swivel mount kit</i> | 8233331 | 1 |
| K | Tornillo M04x12 DIN965 <i>Screw M04x12 DIN965</i> | 9027623 | 4 |
| L | Arandela M04 DIN127 <i>Washer M04 DIN127</i> | 9027090 | 4 |
| M | Tuerca M04 DIN934 <i>Nut M04 DIN934</i> | 9027439 | 4 |
| N | Tornillo 4,2x16 DIN7981 <i>Screw 4,2x16 DIN7981</i> | 9027258 | 3 |
| O | Tornillo 3,9x13 DIN7981 <i>Screw 3,9x13 DIN7981</i> | 9027030 | 4 |
| P | Tornillo M04x15 DIN7985 <i>Screw M04x15 DIN7985</i> | 9027580 | 4 |
| Q | Arandela M04 DIN125 <i>Washer M04 DIN125</i> | 9027097 | 4 |
| R | Caja Minifit de 6 vías <i>6 ways Minifit box</i> | 9018418 | 1 |
| S | Terminal Molex 03900-0038 <i>03900-0038 molex terminal</i> | 9018368 | 6 |
| T | Caja receptora MIC 9 vías 142259-1 <i>142259-1 9 ways MIC receiver box</i> | 9018383 | 1 |
| U | Terminal MIC AMP 142185-1 <i>142185-1 MIC AMP terminal</i> | 9018381 | 9 |
| V | Jack telefónico 8P8C <i>8P8C telephonic jack</i> | 9018409 | 2 |

SERVICE



Empresa certificada ISO / ISO certified Company

FEDERAL SIGNAL VAMA, S.A

Dr. Ferrán, 7 (08339) VILASSAR DE DALT,
BARCELONA, SPAIN
Tel. (00) 93 741 79 42 (Spain)
Tel. (34) 93 741 79 41 (Int.)
Fax (34) 93 753 03 62
email: service@vama.es

S1510004+0 09/2002
Web : www.fedsig.vama.es

Delegación - Madrid

Avda. Baviera, 13
(28028) MADRID
Tel. (34) 91 355 22 00
Fax (34) 91 355 35 61
email: servicemad@vama.es